



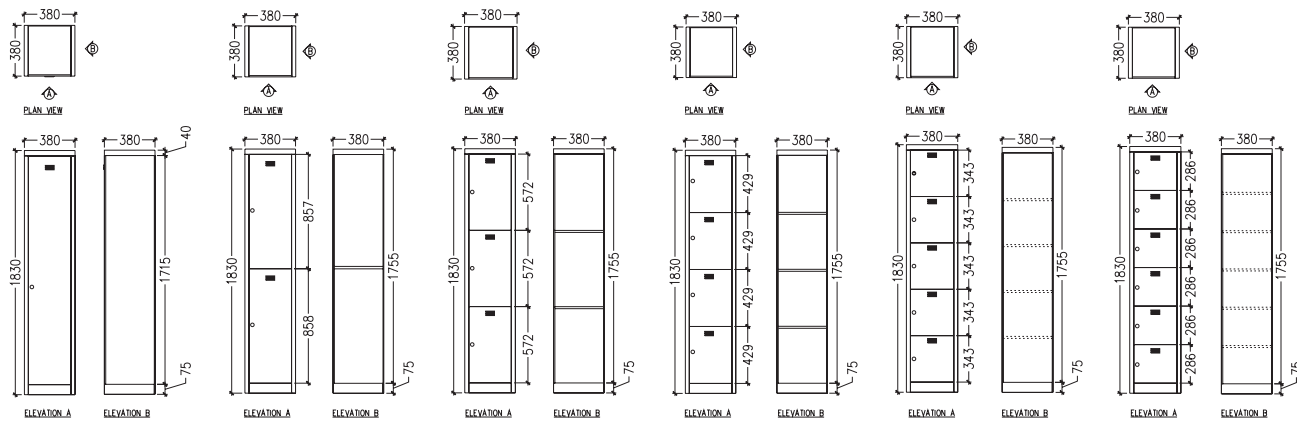
LOCKER

Your multi-function closed compartment solution

A stylish solution for your personal belonging, perfect for employees, essential for gyms and high schools and an integral part of your country club's décor. They come in a wide variety for all needs.



LC1 Locker 1 Compartment
LC2 Locker 2 Compartments
LC3 Locker 3 Compartments
LC4 Locker 4 Compartments
LC5 Locker 5 Compartments
LC6 Locker 6 Compartments



Specifications

- 0,7 mm thickness SPCC material.
- Folding Key head to prevent damage
- Plastic indexing labels
- Enamel stoving paint finished, for more scratch resistant.
- Plastic protector equipped to avoid scratch to your floor.
- Strong constructed body

Customized /made-to-order products are available (for a specific minimum qty).



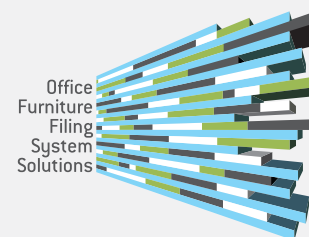
CALL CENTER: (021) 2664 8999

HEAD OFFICE & SHOWROOM:

Kawasan Niaga Selatan Blok B-15 Bandar Kemayoran, Jakarta 10610
 Fax: (62-21) 6544811-13 • SMS: 0812 118 1008 • Email: info@datascrip.co.id

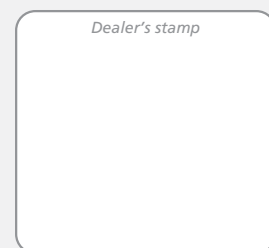
Showroom Jakarta Design Center, 4th floor, Jalan Gatot Subroto Kav.53 Jakarta Tel. (62-21) 5495110

BRANCH OFFICES: Medan (061) 4575081, 4514633 • Pekanbaru (0761) 864502, 7079591
 • Padang (0751) 7870649, 7870539 • Palembang (0711) 713699 • Bandung (022) 4230928, 4233193
 • Surabaya (031) 5665335 • Balikpapan (0542) 7023577, 7203343 • Makassar (0411) 875211, 875225
 • Manado (0431) 845639



Office
Furniture
Filing
System
Solutions

www.datascrip.com



racking & storage systems





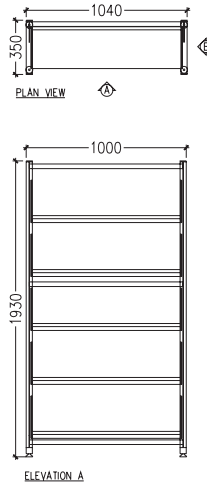
LIBRARY RACK

Your precious collections solution

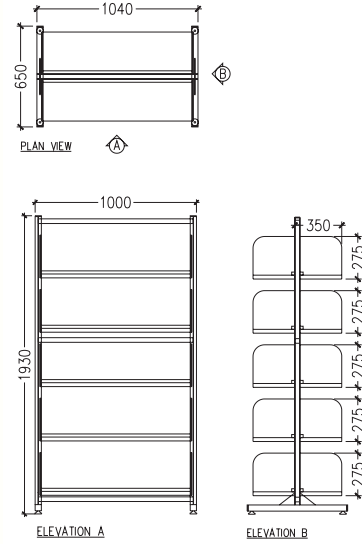
Racking / shelving systems for books, magazines, disks and other items that need to be neatly stacked and easy to find. Great for libraries.



BR-BSF
Library Rack
Basic Single Configuration
5 Flat Racks



BR-BDF
Library Rack
Basic Double Configuration
10 Flat Racks



Specifications

- 0,8 mm thickness SPCC for the racks, and 1,4 mm thickness SPCC for the post, beam and hanger.
- Rust resistance material for all components and finished with enamel stoving paint.
- Adjustable rack height.
- Plastic adjuster foot.
- Max 20 kg capacity for each rack.
- Completely knockdown system.

Accessories



Angled/Display Rack
(For magazine or DVD)

Feature & Benefits

- Easy and fast installation
- Flexibility for many configuration combinations (number of racks, height of racks, number of module, special solution racks and many more).
- Flexibility for future change of layout. Solution for an active collection that can accommodate all configuration future needs.
- Customized racks /sizes are available (for a specific minimum qty).

Contact us for your specific collection needs, the best solution is just a step away.



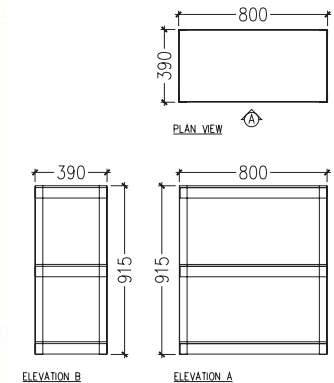
PRONTO RACK

Your multi-function open compartment solution

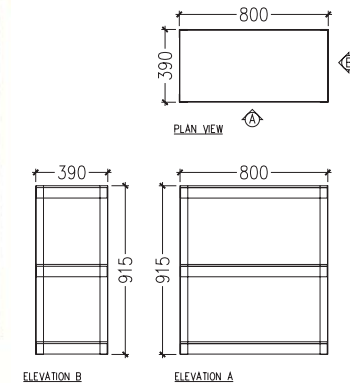
Multifunction Boltless Racks, extremely strong Steel shelves that can support up to 140 KG of evenly distributed weight and easily assembled in 5 minutes.



S-14903
Pronto Rack
3 Steel Racks



F-14903
Pronto Rack
3 MDF Racks



Specifications

- 0,6 mm thickness SPCC for steel racks, 7 mm thickness MDF for wood rack and 1,4 mm thickness SPCC for the post and beams.
- Rust resistance material for all components and finished with enamel stoving wrinkle paint, for more rust and scratch resistant.
- Adjustable boltless rack height.
- Plastic protector equipped to avoid scratch to your floor.
- Max 140 kg capacity for each rack.
- Completely knockdown system.

Feature & Benefits



Easy and fast installation.
(Less then 5 minutes with just a plastic/rubber hammer)



Flexibility for many configuration combinations.
(number of racks and height of racks).



Multi fuction needs solution: home appliances, special appliances for hotels, hospitals, gas stations, workshops and many more.



2 units can be installed vertically to accommodate needs for 180 cm height rack.